

For use with TO-220 packages

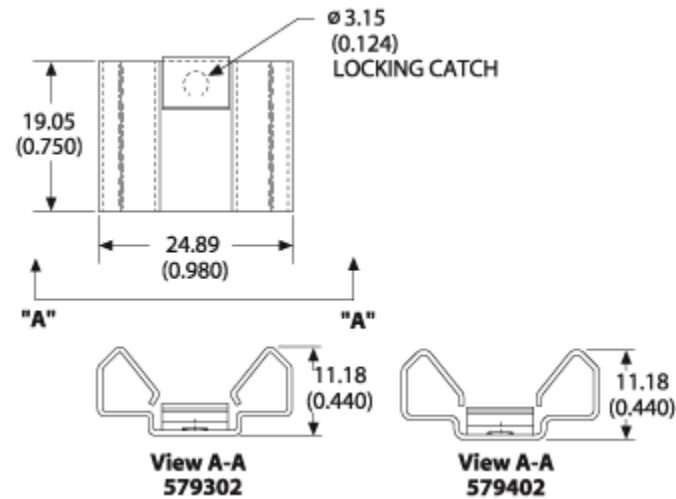
Part Number - 579402B00000G

RoHS    
 Compliant

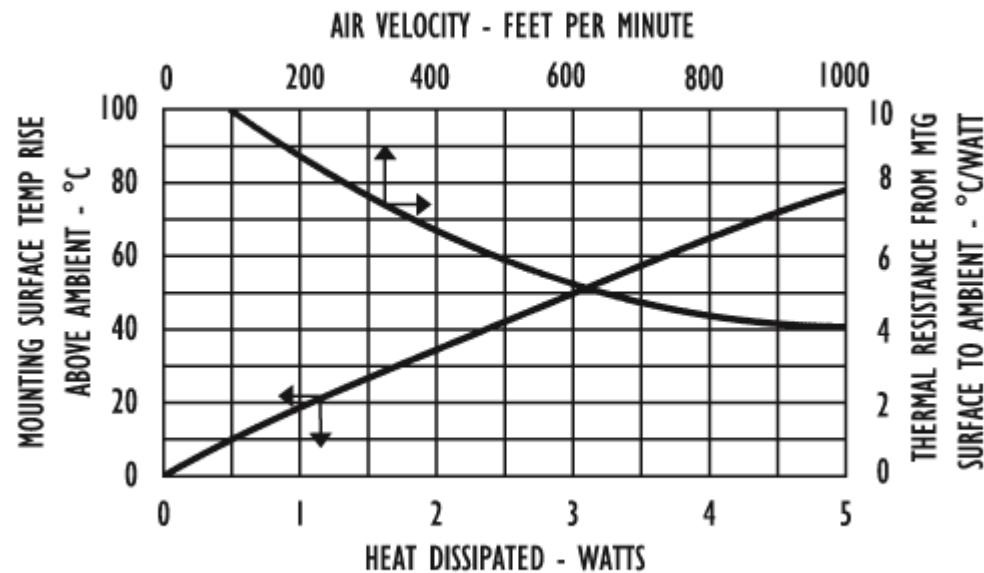
Product    
 Change   
 Notice



### Mechanical Outline Drawing



### Thermal Curves



Thermal Resistance	16.80
--------------------	-------

Thermal resistance value is based on a 75°C rise in natural convection

# Product Information

Part #	Description	Finish	Board Mounting
579402B00000G	Snap down style heat sink featuring two side fins integrated clip and locking catch	Black Anodize	N/A